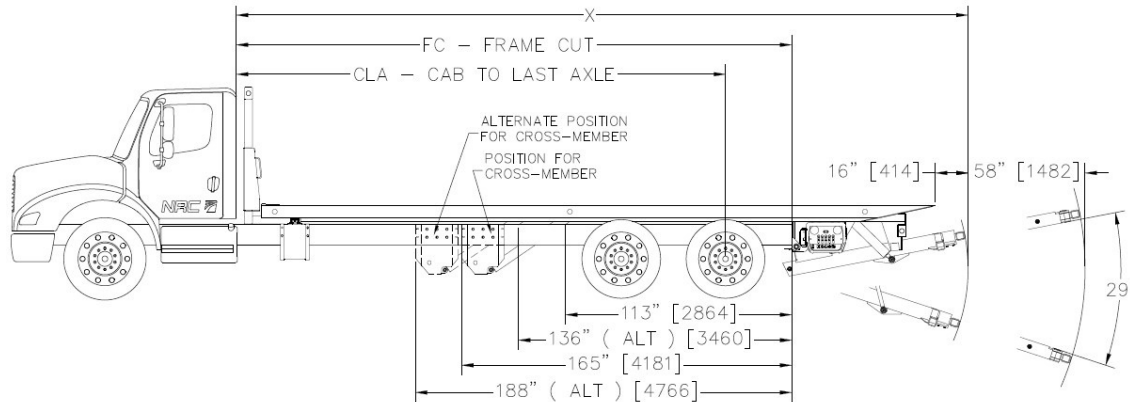




Model: 30TB

Get the equipment you need to make sure you can answer your customer's calls. The 30TB series allows you to load up heavy machinery and tow a car – both at the same time if you want. Make the most of every mile on the road.



RECOMMENDED CLA FOR 30TB			
Deck length Ft [mm]	CLA In [mm]	FC In [mm]	X In [mm]
24 [7315]	196 [4978]	233 [5919]	321 [8154]
24 ½ [7468]	202 [5131]	239 [6071]	327 [8307]
25 [7620]	208 [5283]	245 [6223]	333 [8459]
25 ½ [7772]	214 [5436]	251 [6376]	339 [8612]
26 [7925]	220 [5588]	257 [6528]	345 [8764]
26 ½ [8077]	226 [5740]	261 [6681]	351 [8916]
27 [8230]	232 [5893]	269 [6833]	357 [9069]
27 ½ [8382]	238 [6045]	275 [6985]	363 [9221]
28 [8534]	244 [6198]	281 [7138]	369 [9374]
28 ½ [8687]	250 [6350]	287 [7290]	375 [9526]
29 [8839]	256 [6502]	293 [7443]	381 [9678]
29 ½ [8992]	262 [6655]	299 [7595]	387 [9831]
30 [9144]	268 [6807]	305 [7747]	393 [9983]
30 ½ [9296]	274 [6960]	311 [7900]	399 [10136]

*The CLA may vary from +/-3" without changes above.

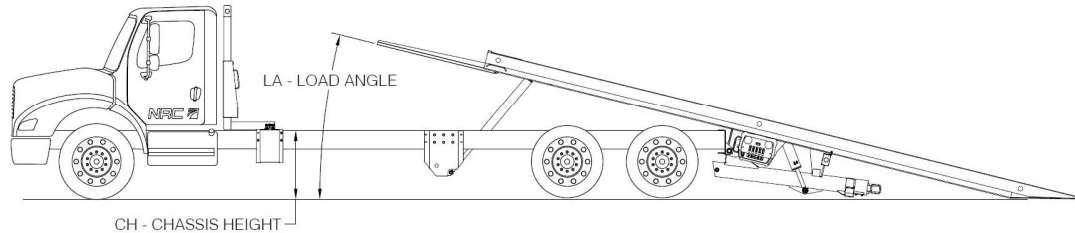
**The CLA is measured from the cab or all other parts exceeding. (Exhaust, tank, etc.)

*** If the toolbox with roll-up door option is selected on the light bar, add 4 inches to all frame cuts in this document.

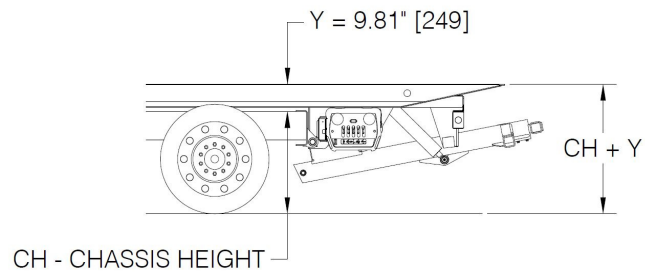


Model: 30TB

Get the equipment you need to make sure you can answer your customer's calls. The 30TB series allows you to load up heavy machinery and tow a car – both at the same time if you want. Make the most of every mile on the road.



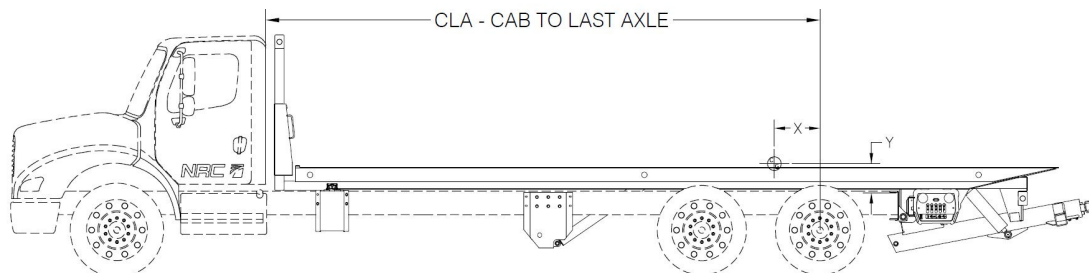
LOAD ANGLE AND CHASSIS HEIGHT FOR 30TB		
CH In [mm]	LA	CH+Y In [mm]
28 [711]	10.9°	37.81 [960]
29 [737]	11.2°	38.81 [986]
30 [762]	11.6°	39.81 [1011]
31 [787]	11.8°	40.81 [1037]
32 [813]	12.1°	41.81 [1062]
33 [838]	12.4°	42.81 [1087]
34 [864]	12.7°	43.81 [1113]
35 [889]	13.0°	44.81 [1138]
36 [914]	13.3°	45.81 [1164]
37 [940]	13.6°	46.81 [1189]
38 [965]	13.9°	47.81 [1214]
39 [991]	14.2°	48.81 [1240]
40 [1016]	14.5°	49.81 [1265]
41 [1041]	14.8°	50.81 [1291]
42 [1067]	15.0°	51.81 [1316]
43 [1092]	15.3°	52.81 [1341]
44 [1118]	15.6°	53.81 [1367]





Model: 30TB

Get the equipment you need to make sure you can answer your customer's calls. The 30TB series allows you to load up heavy machinery and tow a car – both at the same time if you want. Make the most of every mile on the road.



ESITMATED WEIGHT AND GRAVITY CENTER FOR 30TB***				
Deck length Ft [mm]	CLA In [mm]	Gravity center - In [mm]		Total estimated weight lb [kg]
		Cg (x)*	Cg (y) **	
24 [7315]	196 [4978]	36.00 [914]	4.00 [102]	9400 [4273]
24 ½ [7468]	202 [5131]	38.50 [978]	4.00 [102]	9600 [4364]
25 [7620]	208 [5283]	41.00 [1041]	4.25 [108]	9800 [4455]
25 ½ [7772]	214 [5436]	42.75 [1086]	4.25 [108]	10000 [4545]
26 [7925]	220 [5588]	45.50 [1156]	4.25 [108]	10200 [4636]
26 ½ [8077]	226 [5740]	48.00 [1219]	4.25 [108]	10400 [4727]
27 [8230]	232 [5893]	49.75 [1264]	4.25 [108]	10600 [4818]
27 ½ [8382]	238 [6045]	52.50 [1334]	4.25 [108]	10800 [4909]
28 [8234]	244 [6198]	54.25 [1378]	4.25 [108]	11000 [5000]
28 ½ [8687]	250 [6350]	57.00 [1448]	4.50 [114]	11200 [5091]
29 [8839]	256 [6502]	59.75 [1518]	4.50 [114]	11400 [5182]
29 ½ [8992]	262 [6655]	62.50 [1588]	4.50 [114]	11600 [5273]
30 [9144]	268 [6807]	64.25 [1632]	4.50 [114]	11800 [5364]
30 ½ [9294]	274 [6960]	67.00 [1702]	4.50 [114]	12000 [5455]

*The center of gravity (x) is calculated from the center of the rear last axle.

**The center of gravity (y) is calculated from the top of the chassis.

***The estimated weight and gravity center are only for carrier. (W/O truck)

Accessories	Estimated weight lb [kg]
Wheel Lift system for car	180 [82]
Bus adapters	400 [182]
Basket 44"	250 [114]
Basket 72"	340 [154]
Toolbox 44"	275 [125]
Toolbox 72"	360 [163]