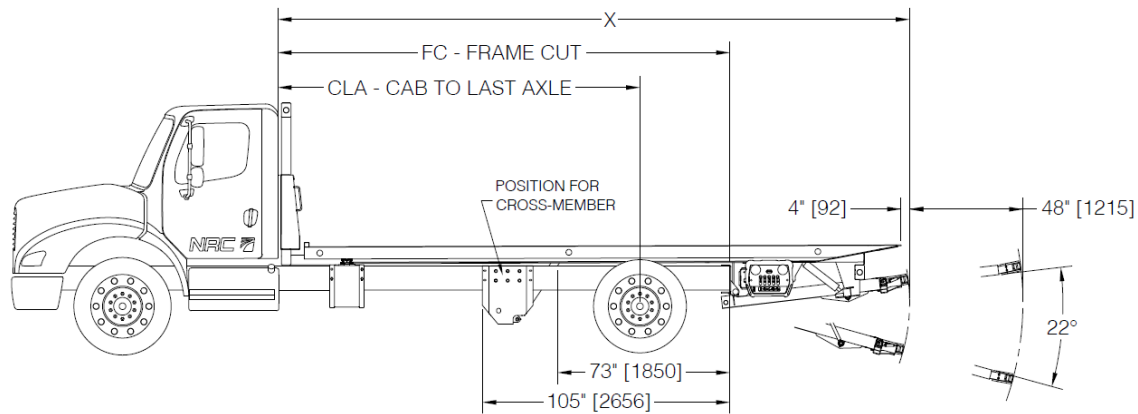




Model: 10TB

Make sure you're ready to take on bigger jobs when they're available. With the 10TB Series, rest assured you're backed by a compact unit built to standards for high performance excellence.



| RECOMMENDED CLA FOR 10TB | | | |
|---------------------------------|------------------------|-----------------------|----------------------|
| Deck length Ft [mm] | CLA In [mm] | FC In [mm] | X In [mm] |
| 18 [5486] | 120 [3048] | 159 [4039] | 236 [5995] |
| 18 ½ [5639] | 126 [3200] | 165 [4192] | 242 [6147] |
| 19 [5791] | 132 [3353] | 171 [4344] | 248 [6300] |
| 19 ½ [5944] | 138 [3505] | 177 [4496] | 254 [6452] |
| 20 [6096] | 144 [3658] | 183 [4649] | 260 [6604] |
| 20 ½ [6248] | 150 [3810] | 189 [4801] | 266 [6757] |
| 21 [6401] | 153 [3886] | 195 [4953] | 272 [6909] |
| 21 ½ [6553] | 159 [4039] | 201 [5106] | 278 [7062] |

*The CLA may vary from +/-3" without changes above.

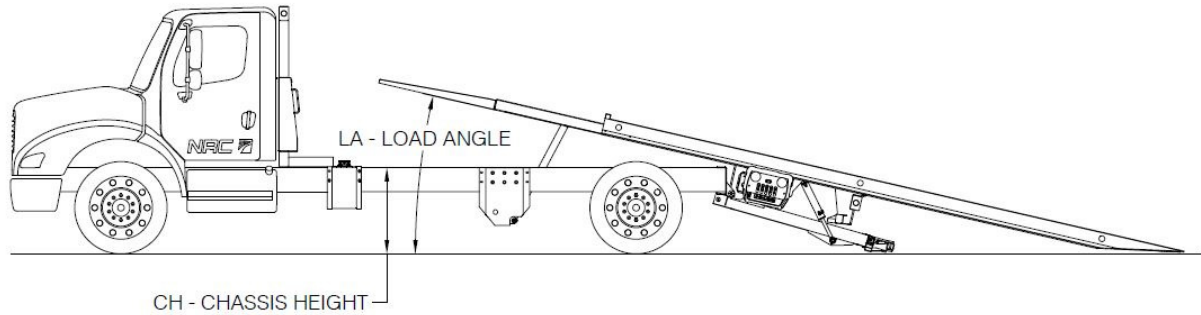
**The CLA is measured from the cab or all other parts exceeding. (Exhaust, tank, etc.)

*** If the toolbox with roll-up door option is selected on the light bar, add 4 inches to all frame cuts in this document.

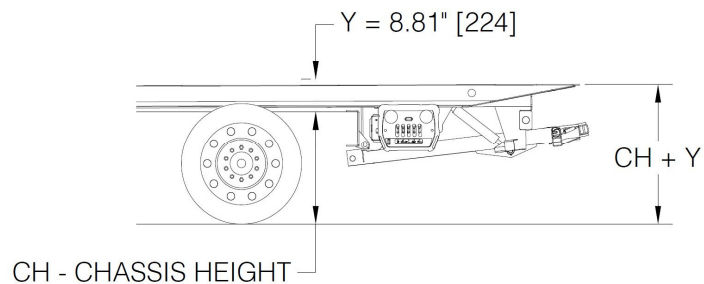


Model: 10TB

Make sure you're ready to take on bigger jobs when they're available. With the 10TB Series, rest assured you're backed by a compact unit built to standards for high performance excellence.



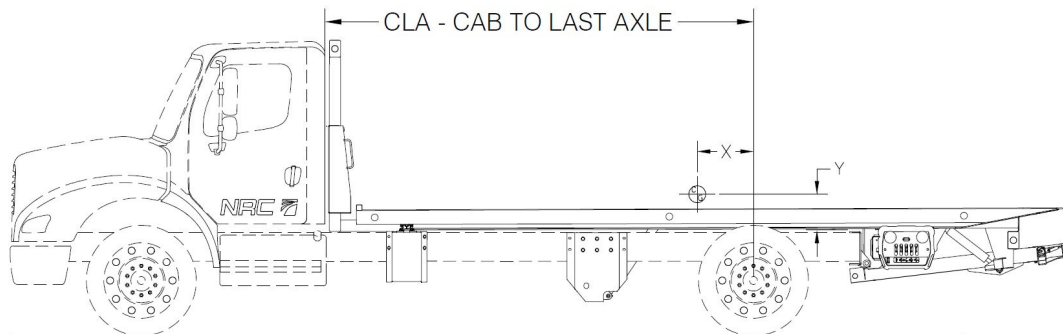
| LOAD ANGLE AND CHASSIS HEIGHT FOR 10TB | | |
|---|--------------|-------------------------|
| CH In [mm] | LA | CH+Y In [mm] |
| 28 [711] | 10.6° | 36.81 [935] |
| 29 [737] | 10.9° | 37.81 [960] |
| 30 [762] | 11.2° | 38.81 [986] |
| 31 [787] | 11.5° | 39.81 [1011] |
| 32 [813] | 11.8° | 40.81 [1037] |
| 33 [838] | 12.1° | 41.81 [1062] |
| 34 [864] | 12.4° | 42.81 [1087] |
| 35 [889] | 12.7° | 43.81 [1113] |
| 36 [914] | 13.0° | 44.81 [1138] |





Model: 10TB

Make sure you're ready to take on bigger jobs when they're available. With the 10TB Series, rest assured you're backed by a compact unit built to standards for high performance excellence.



*The center of gravity (x) is calculated from the center of the rear last axle.

| ESTIMATED WEIGHT AND GRAVITY CENTER FOR 10TB*** | | | | |
|--|----------------|--------------------------|------------|-----------------------------------|
| Deck length Ft [mm] | CLA In [mm] | Gravity center - In [mm] | | Total estimated weight lb [kg] |
| | | Cg (x)* | Cg (y) ** | |
| 18 [5486] | 120 [3048] | 4,25 [108] | 4,00 [102] | 6950 [3160] |
| 18 ½ [5639] | 126 [3200] | 5,75 [146] | 4,00 [102] | 7025 [3193] |
| 19 [5791] | 132 [3353] | 8,25 [210] | 4,00 [102] | 7100 [3227] |
| 19 ½ [5944] | 138 [3505] | 10,50 [267] | 4,00 [102] | 7175 [3261] |
| 20 [6096] | 144 [3658] | 12,25 [311] | 4,00 [102] | 7250 [3295] |
| 20 ½ [6248] | 150 [3810] | 14,75 [375] | 4,00 [102] | 7325 [3330] |
| 21 [6400] | 153 [3886] | 14,25 [362] | 4,25 [108] | 7400 [3364] |
| 21 ½ [6553] | 159 [4039] | 16,00 [406] | 4,25 [108] | 7475 [3398] |

**The center of gravity (y) is calculated from the top of the chassis.

***The estimated weight and gravity center are only for carrier, with steel deck. (W/O truck)

| Accessories | Estimated weight lb [kg] |
|--------------------|-------------------------------------|
| Wheel Lift W/T-bar | 195 [89] |
| Basket 44" | 250 [114] |
| Basket 72" | 340 [154] |
| Toolbox 44" | 275 [125] |
| Toolbox 72" | 360 [163] |