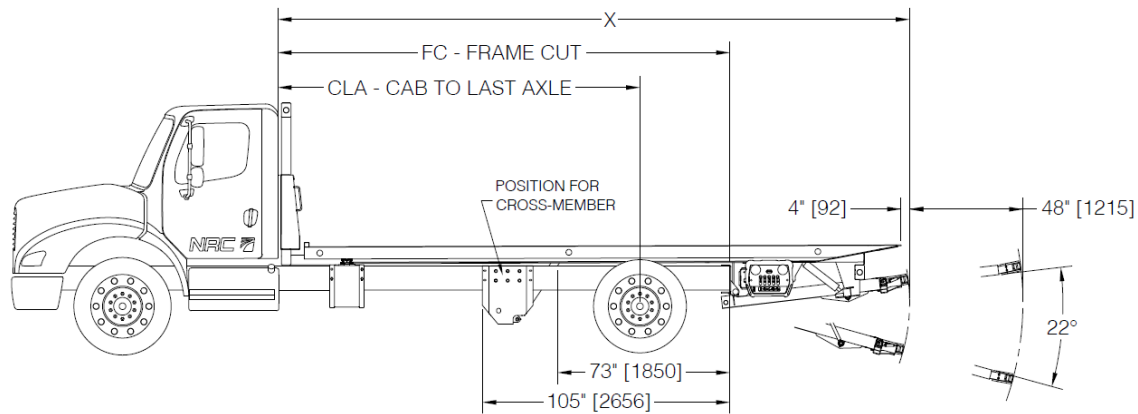




**Model: 10TB-Aluminum**

Make sure you're ready to take on bigger jobs when they're available. With the 10TB Series, rest assured you're backed by a compact unit built to standards for high performance excellence.



<b>RECOMMENDED <i>CLA</i> FOR 10TB - ALUMINUM</b>			
<b>Deck length Ft-in [mm]</b>	<b>CLA In [mm]</b>	<b>FC In [mm]</b>	<b>X In [mm]</b>
18'-6" [5639]	126 [3200]	165 [4191]	242 [6147]
19'-4" [5893]	136 [3454]	175 [4445]	252 [6452]
20'-2" [6147]	146 [3708]	185 [4699]	262 [6604]
21 [6401]	153 [3886]	195 [4953]	272 [6909]

\*The CLA may vary from +/-3" without changes above.

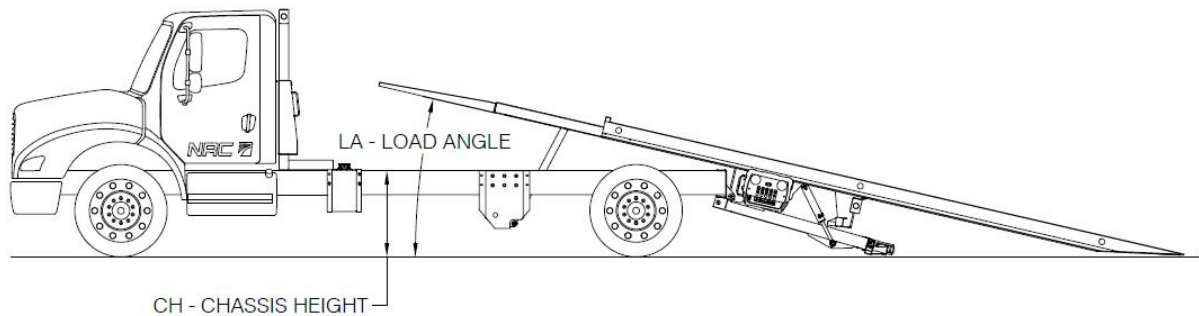
\*\*The CLA is measured from the cab or all other parts exceeding. (Exhaust, tank, etc.)

\*\*\* If the toolbox with roll-up door option is selected on the light bar, add 4 inches to all frame cuts in this document.

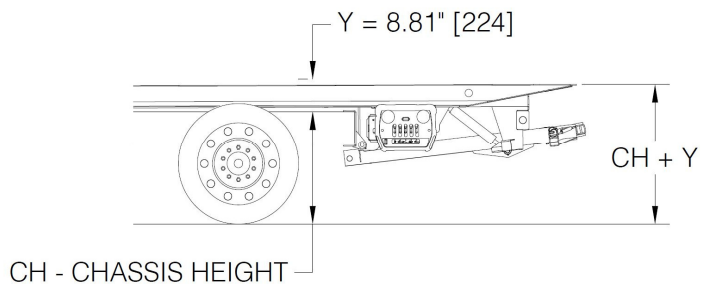


Model: 10TB - Aluminum

Make sure you're ready to take on bigger jobs when they're available. With the 10TB Series, rest assured you're backed by a compact unit built to standards for high performance excellence.



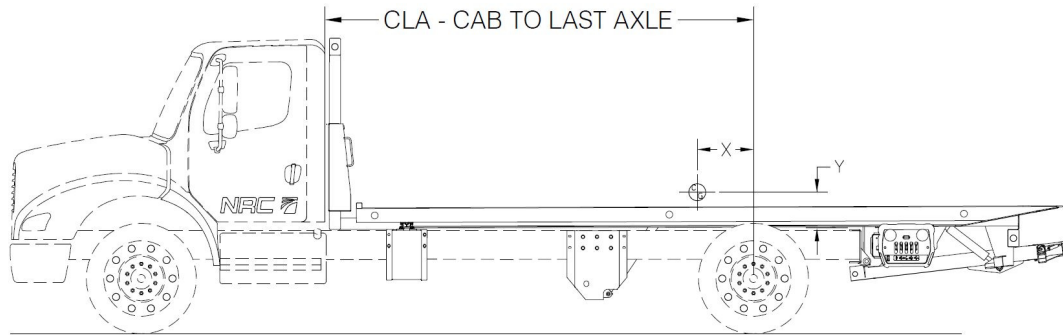
<b>LOAD ANGLE AND CHASSIS HEIGHT FOR 10TB</b>		
CH In [mm]	LA	CH+Y In [mm]
28 [711]	10.6°	36.81 [935]
29 [737]	10.9°	37.81 [960]
30 [762]	11.2°	38.81 [986]
31 [787]	11.5°	39.81 [1011]
32 [813]	11.8°	40.81 [1037]
33 [838]	12.1°	41.81 [1062]
34 [864]	12.4°	42.81 [1087]
35 [889]	12.7°	43.81 [1113]
36 [914]	13.0°	44.81 [1138]





**Model: 10TB - Aluminum**

Make sure you're ready to take on bigger jobs when they're available. With the 10TB Series, rest assured you're backed by a compact unit built to standards for high performance excellence.



<b>ESTIMATED WEIGHT AND GRAVITY CENTER FOR 10TB***</b>				
Deck length Ft-in [mm]	CLA In [mm]	Gravity center - In [mm]		Total estimated weight lb [kg]
		Cg (x)*	Cg (y) **	
18'-6" [5639]	126 [3200]	<b>8,00 [203]</b>	<b>2,50 [64]</b>	<b>5625 [2557]</b>
19'-4" [5893]	136 [3454]	<b>11,75 [298]</b>	<b>2,50 [64]</b>	<b>5775 [2625]</b>
20'-2" [6147]	146 [3708]	<b>13,50 [343]</b>	<b>2,50 [54]</b>	<b>5850 [2659]</b>
21' [6400]	153 [3886]	<b>12,50 [318]</b>	<b>2,50 [64]</b>	<b>6000 [2727]</b>

\*The center of gravity (x) is calculated from the center of the rear last axle.

\*\*The center of gravity (y) is calculated from the top of the chassis.

\*\*\*The estimated weight and gravity center are only for carrier, with aluminum deck. (W/O truck)

<b>Accessories</b>	<b>Estimated weight lb [kg]</b>
Wheel Lift W/T-bar	<b>195 [89]</b>
Basket 44"	<b>250 [114]</b>
Basket 72"	<b>340 [154]</b>
Toolbox 44"	<b>275 [125]</b>
Toolbox 72"	<b>360 [163]</b>