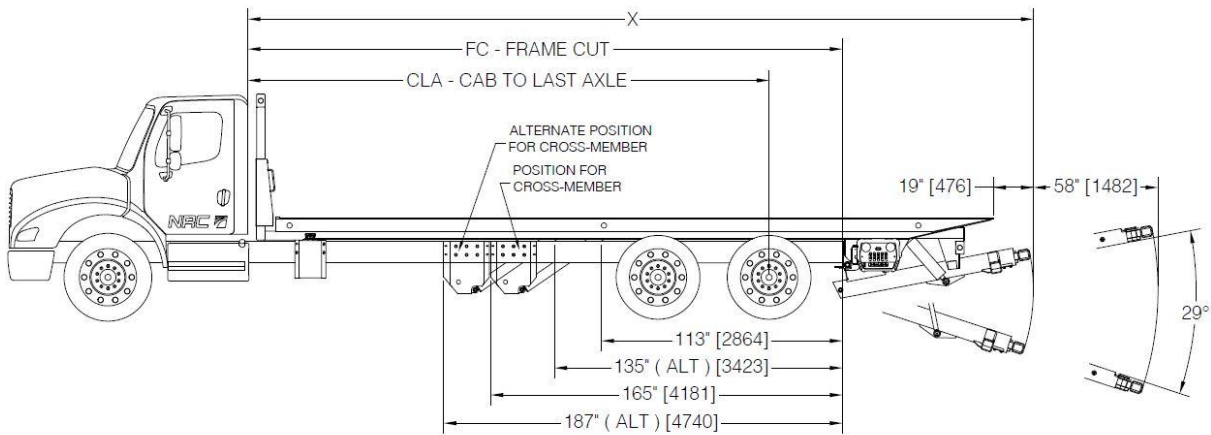




Model: 40TB - tandem

With unbelievable versatility and capability, you can move equipment, concrete structures, cars and trucks. Be the only one on your client's call list.



RECOMMENDED CLA FOR 40TB - TANDEM

Deck length Ft [mm]	CLA In [mm]	FC In [mm]	X In [mm]
24 [7315]	196 [4978]	229 [5817]	319 [8103]
24 ½ [7468]	202 [5131]	235 [5969]	325 [8255]
25 [7620]	208 [5283]	241 [6121]	331 [8407]
25 ½ [7772]	214 [5436]	247 [6274]	337 [8560]
26 [7925]	220 [5588]	253 [6426]	343 [8712]
26 ½ [8077]	226 [5740]	259 [6579]	349 [8865]
27 [8230]	232 [5893]	265 [6731]	355 [9017]
27 ½ [8382]	238 [6045]	271 [6883]	361 [9169]
28 [8534]	244 [6198]	277 [7036]	367 [9322]
28 ½ [8687]	250 [6350]	283 [7188]	373 [9474]
29 [8839]	256 [6502]	289 [7341]	379 [9627]
29 ½ [8992]	262 [6655]	295 [7493]	385 [9779]
30 [9144]	268 [6807]	301 [7645]	391 [9931]
30 ½ [9296]	274 [6960]	307 [7798]	397 [10084]

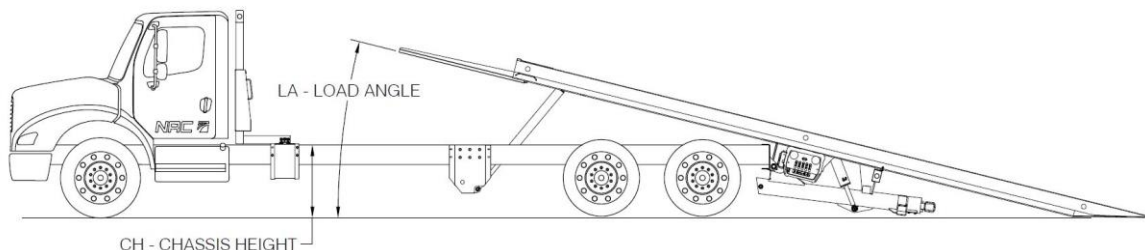
*The CLA may vary from +/-3" without changes above.

**The CLA is measured from the cab or all other parts exceeding. (Exhaust, tank, etc.)

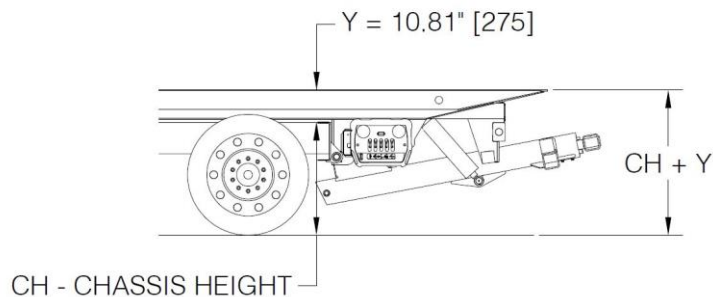


Model: 40TB - tandem

With unbelievable versatility and capability, you can move equipment, concrete structures, cars and trucks. Be the only one on your client's call list.



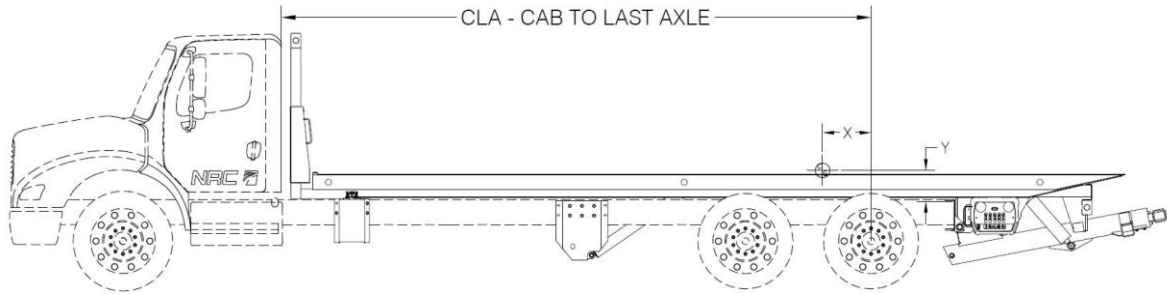
LOAD ANGLE AND CHASSIS HEIGHT FOR 40TB		
CH In [mm]	LA	CH+Y In [mm]
28 [711]	11.2°	38.81 [986]
29 [737]	11.5°	39.81 [1011]
30 [762]	11.8°	40.81 [1037]
31 [787]	12.1°	41.81 [1062]
32 [813]	12.4°	42.81 [1087]
33 [838]	12.7°	43.81 [1113]
34 [864]	13.0°	44.81 [1138]
35 [889]	13.3°	45.81 [1164]
36 [914]	13.6°	46.81 [1189]
37 [940]	13.9°	47.81 [1214]
38 [965]	14.2°	48.81 [1240]
39 [991]	14.5°	49.81 [1265]
40 [1016]	14.8°	50.81 [1291]
41 [1041]	15.0°	51.81 [1316]
42 [1067]	15.3°	52.81 [1341]
43 [1092]	15.6°	53.81 [1367]
44 [1118]	15.9°	54.81 [1392]





Model: 40TB - tandem

With unbelievable versatility and capability, you can move equipment, concrete structures, cars and trucks. Be the only one on your client's call list.



ESITMATED WEIGHT AND GRAVITY CENTER FOR 40TB TANDEM***				
Deck length Ft [mm]	CLA In [mm]	Gravity center - In [mm]		Total estimated weight lb [kg]
		Cg (x)*	Cg (y) **	
24 [7315]	196 [4978]	33.00 [838]	4.00 [102]	10200 [4636]
24 ½ [7468]	202 [5131]	35.50 [902]	4.25 [108]	10400 [4727]
25 [7620]	208 [5283]	38.00 [965]	4.25 [108]	10600 [4818]
25 ½ [7772]	214 [5436]	40.00 [1016]	4.25 [108]	10800 [4909]
26 [7925]	220 [5588]	42.50 [1080]	4.25 [108]	11000 [5000]
26 ½ [8077]	226 [5740]	44.50 [1130]	4.25 [108]	11200 [5091]
27 [8230]	232 [5893]	47.00 [1194]	4.25 [108]	11400 [5182]
27 ½ [8382]	238 [6045]	49.50 [1257]	4.50 [114]	11600 [5273]
28 [8234]	244 [6198]	51.50 [1308]	4.50 [114]	11800 [5364]
28 ½ [8687]	250 [6350]	54.25 [1378]	4.50 [114]	12000 [5455]
29 [8839]	256 [6502]	56.75 [1441]	4.50 [114]	12200 [5545]
29 ½ [8992]	262 [6655]	58.75 [1492]	4.50 [114]	12400 [5636]
30 [9144]	268 [6807]	61.50 [1562]	4.50 [114]	12600 [5727]
30 ½ [9294]	274 [6960]	63.50 [1613]	4.50 [114]	12800 [5818]

*The center of gravity (x) is calculated from the center of the rear last axle.

**The center of gravity (y) is calculated from the top of the chassis.

***The estimated weight and gravity center are only for carrier. (W/O truck)

Accessories	Estimated weight lb [kg]
Wheel Lift system for car	190 [86]
Bus adapters	400 [181]
Basket 44"	250 [114]
Basket 72"	340 [154]
Toolbox 44"	275 [125]
Toolbox 72"	360 [163]