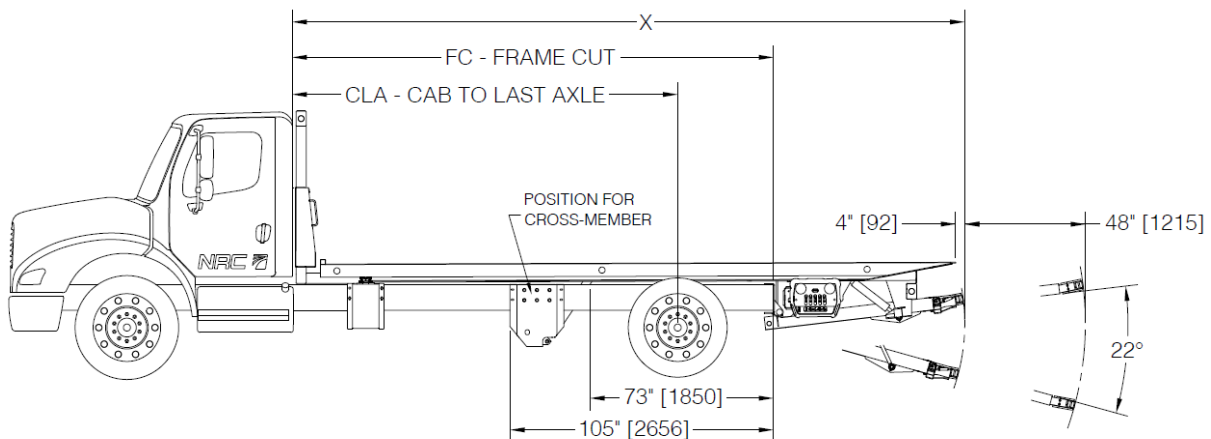




Model: 10TB

Make sure you're ready to take on bigger jobs when they're available. With the 10TB Series, rest assured you're backed by a compact unit built to standards for high performance excellence.



RECOMMENDED CLA FOR 10TB			
Deck length Ft [mm]	CLA In [mm]	FC In [mm]	X In [mm]
18 [5486]	120 [3048]	155 [3937]	232 [5893]
18 ½ [5639]	126 [3200]	161 [4089]	238 [6045]
19 [5791]	132 [3353]	167 [4242]	244 [6198]
19 ½ [5944]	138 [3505]	173 [4394]	250 [6350]
20 [6096]	144 [3658]	179 [4547]	256 [6502]
20 ½ [6248]	150 [3810]	185 [4699]	262 [6655]
21 [6401]	153 [3886]	191 [4851]	268 [6807]
21 ½ [6553]	159 [4039]	197 [5004]	274 [6960]

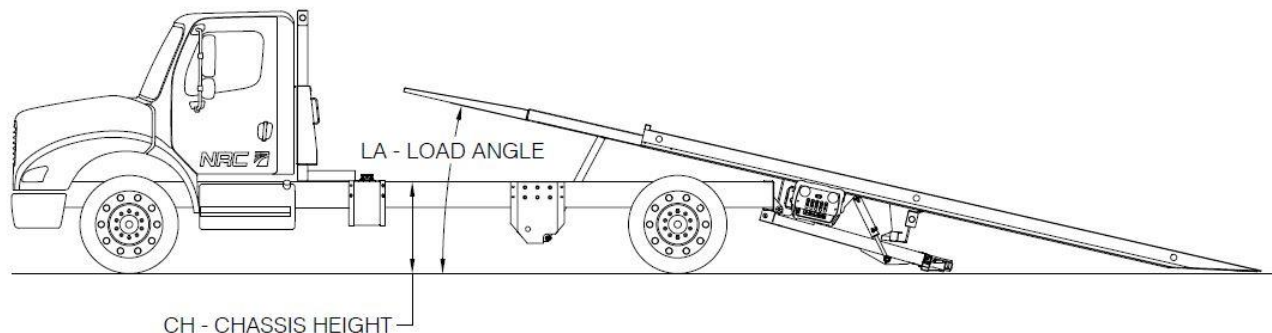
*The CLA may vary from +/-3" without changes above.

**The CLA is measured from the cab or all other parts exceeding. (Exhaust, tank, etc.)

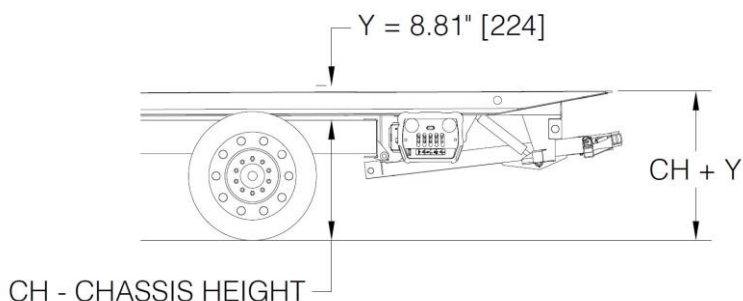


Model: 10TB

Make sure you're ready to take on bigger jobs when they're available. With the 10TB Series, rest assured you're backed by a compact unit built to standards for high performance excellence.



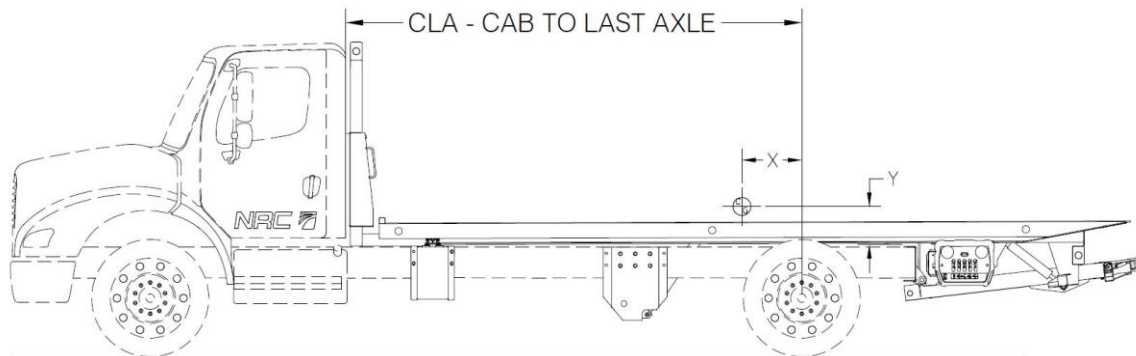
LOAD ANGLE AND CHASSIS HEIGHT FOR 10TB		
CH In [mm]	LA	CH+Y In [mm]
28 [711]	10.6°	36.81 [935]
29 [737]	10.9°	37.81 [960]
30 [762]	11.2°	38.81 [986]
31 [787]	11.5°	39.81 [1011]
32 [813]	11.8°	40.81 [1037]
33 [838]	12.1°	41.81 [1062]
34 [864]	12.4°	42.81 [1087]
35 [889]	12.7°	43.81 [1113]
36 [914]	13.0°	44.81 [1138]





Model: 10TB

Make sure you're ready to take on bigger jobs when they're available. With the 10TB Series, rest assured you're backed by a compact unit built to standards for high performance excellence.



ESTIMATED WEIGHT AND GRAVITY CENTER FOR 10TB***				
Deck length Ft [mm]	CLA In [mm]	Gravity center - In [mm]		Total estimated weight lb [kg]
		Cg (x)*	Cg (y) **	
18 [5486]	120 [3048]	4,25 [108]	4,00 [102]	6950 [3160]
18 ½ [5639]	126 [3200]	5,75 [146]	4,00 [102]	7025 [3193]
19 [5791]	132 [3353]	8,25 [210]	4,00 [102]	7100 [3227]
19 ½ [5944]	138 [3505]	10,50 [267]	4,00 [102]	7175 [3261]
20 [6096]	144 [3658]	12,25 [311]	4,00 [102]	7250 [3295]
20 ½ [6248]	150 [3810]	14,75 [375]	4,00 [102]	7325 [3330]
21 [6400]	153 [3886]	14,25 [362]	4,25 [108]	7400 [3364]
21 ½ [6553]	159 [4039]	16,00 [406]	4,25 [108]	7475 [3398]

*The center of gravity (x) is calculated from the center of the rear last axle.

**The center of gravity (y) is calculated from the top of the chassis.

***The estimated weight and gravity center are only for carrier, with steel deck. (W/O truck)

Accessories	Estimated weight lb [kg]
Wheel Lift W/T-bar	195 [89]
Basket 44"	250 [114]
Basket 72"	340 [154]
Toolbox 44"	275 [125]
Toolbox 72"	360 [163]