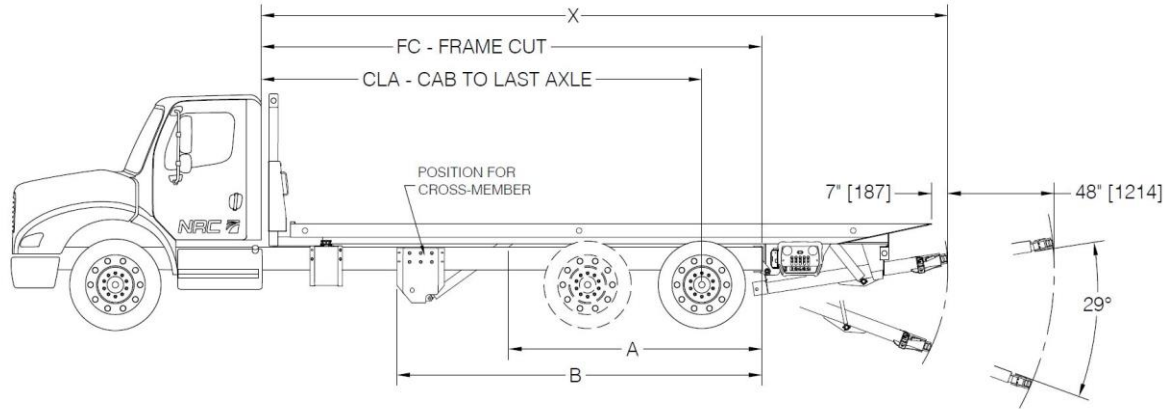




Model: 20TB

The best features for the best performance. Haul all you can think of and then some...
All in a day's work with the 20TB series.



RECOMMENDED CLA FOR 20TB – SINGLE & TANDEM

Deck length Ft [mm]	A In [mm]	B In [mm]	SINGLE		TANDEM		X In [mm]
			CLA In [mm]	FC In [mm]	CLA In [mm]	FC In [mm]	
20 [6096]	73 [1854]	124 [3150]	144 [3658]	177 [4496]	N.A.	N.A.	259 [6579]
20 ½ [6248]	73 [1854]	124 [3150]	150 [3810]	183 [4648]	N.A.	N.A.	265 [6731]
21 [6401]	73 [1854]	124 [3150]	153 [3886]	189 [4801]	N.A.	N.A.	271 [6883]
21 ½ [6553]	73 [1854]	124 [3150]	159 [4039]	195 [4953]	N.A.	N.A.	277 [7036]
22 [6706]	73 [1854]	124 [3150]	162 [4115]	201 [5105]	N.A.	N.A.	283 [7188]
22 ½ [6858]	73 [1854]	124 [3150]	168 [4267]	207 [5258]	N.A.	N.A.	289 [7341]
23 [7010]	73 [1854]	124 [3150]	171 [4343]	213 [5410]	N.A.	N.A.	295 [7493]
23 ½ [7163]	73 [1854]	124 [3150]	177 [4496]	219 [5563]	N.A.	N.A.	301 [7645]
24 [7315]	113 [2870]	164 [4166]	184 [4674]	229 [5817]	196 [4978]	229 [5817]	307 [7798]
24 ½ [7468]	113 [2870]	164 [4166]	190 [4826]	235 [5969]	202 [5131]	235 [5969]	313 [7950]
25 [7620]	113 [2870]	164 [4166]	193 [4902]	241 [6121]	208 [5283]	241 [6121]	319 [8103]
25 ½ [7772]	113 [2870]	164 [4166]	199 [5055]	247 [6274]	214 [5436]	247 [6274]	325 [8255]
26 [7925]	113 [2870]	164 [4166]	202 [5131]	253 [6426]	220 [5588]	253 [6426]	331 [8407]
26 ½ [8077]	113 [2870]	164 [4166]	208 [5283]	259 [6579]	226 [5740]	259 [6579]	337 [8560]
27 [8230]	113 [2870]	164 [4166]	211 [5359]	265 [6731]	232 [5893]	265 [6731]	343 [8712]
27 ½ [8382]	113 [2870]	164 [4166]	217 [5512]	271 [6883]	238 [6045]	271 [6883]	349 [8865]
28 [8534]	113 [2870]	164 [4166]	220 [5588]	277 [7036]	244 [6198]	277 [7036]	355 [9017]
28 ½ [8687]	113 [2870]	164 [4166]	226 [5740]	283 [7188]	250 [6350]	283 [7188]	361 [9169]
29 [8839]	113 [2870]	164 [4166]	229 [5817]	289 [7341]	256 [6502]	289 [7341]	367 [9322]
29 ½ [8992]	113 [2870]	164 [4166]	235 [5969]	295 [7493]	262 [6655]	295 [7493]	373 [9474]
30 [9144]	113 [2870]	164 [4166]	238 [6045]	301 [7645]	268 [6807]	301 [7645]	379 [9627]
30 ½ [9296]	113 [2870]	164 [4166]	244 [6198]	307 [7798]	274 [6960]	307 [7798]	385 [9779]

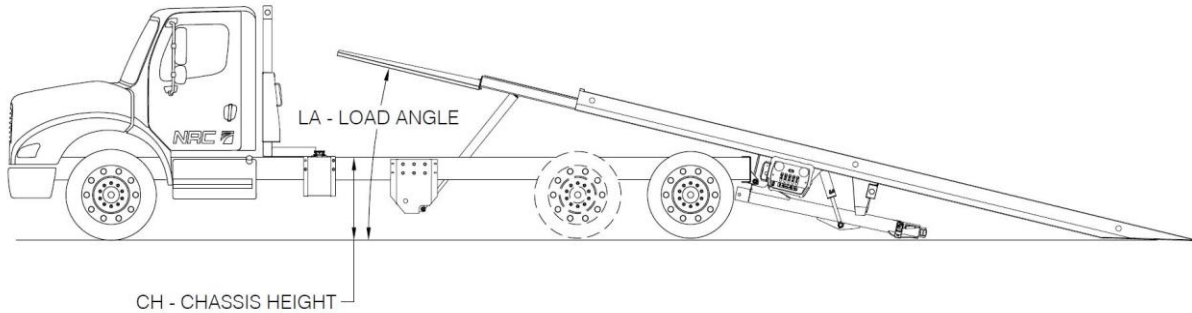
*The CLA may vary from +/-3" without changes above.

**The CLA is measured from the cab or all other parts exceeding. (Exhaust, tank, etc.)

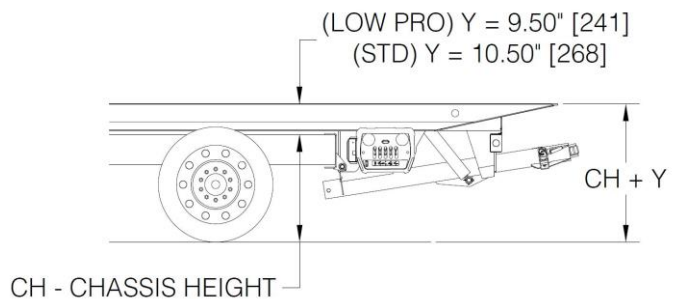


Model: 20TB

The best features for the best performance. Haul all you can think of and then some...
All in a day's work with the 20TB series.



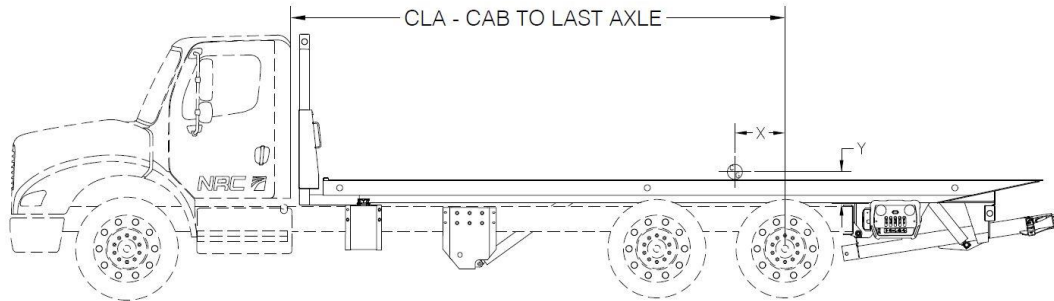
LOAD ANGLE AND CHASSIS HEIGHT FOR 20TB						
CH In [mm]	LA				CH+Y In [mm]	
	20-23' / low pro	24-30' / low pro	20-23' / STD	24-30' / STD	Low pro	STD
28 [711]	10.7°	10.9°	11.0°	11.2°	37.5 [953]	38.5 [978]
29 [737]	11.0°	11.2°	11.3°	11.5°	38.5 [978]	39.5 [1003]
30 [762]	11.3°	11.5°	11.5°	11.8°	39.5 [1003]	40.5 [1029]
31 [787]	11.6°	11.8°	11.8°	12.1°	40.5 [1029]	41.5 [1054]
32 [813]	11.8°	12.0°	12.1°	12.4°	41.5 [1054]	42.5 [1080]
33 [838]	12.1°	12.3°	12.4°	12.7°	42.5 [1080]	43.5 [1105]
34 [864]	12.4°	12.7°	12.7°	13.0°	43.5 [1105]	44.5 [1130]
35 [889]	12.7°	13.0°	13.0°	13.2°	44.5 [1130]	45.5 [1156]
36 [914]	13.0°	13.3°	13.3°	13.5°	45.5 [1156]	46.5 [1181]
37 [940]	13.3°	13.5°	13.6°	13.8°	46.5 [1181]	47.5 [1207]
38 [965]	13.6°	13.8°	13.8°	14.1°	47.5 [1207]	48.5 [1232]
39 [991]	13.9°	14.1°	14.1°	14.4°	48.5 [1232]	49.5 [1257]
40 [1016]	14.1°	14.4°	14.4°	14.7°	49.5 [1257]	50.5 [1283]
41 [1041]	14.4°	14.7°	14.7°	15.0°	50.5 [1283]	51.5 [1308]
42 [1067]	14.7°	15.0°	15.0°	15.3°	51.5 [1308]	52.5 [1334]
43 [1092]	15.0°	15.3°	15.3°	15.6°	52.5 [1334]	53.5 [1359]
44 [1118]	15.3°	15.6°	15.6°	15.9°	53.5 [1359]	54.5 [1384]





Model: 20TB

The best features for the best performance. Haul all you can think of and then some...
All in a day's work with the 20TB series.



ESITMATED WEIGHT AND GRAVITY CENTER FOR 20TB LOW PRO***							
Deck length Ft [mm]	CLA In [mm]		Gravity center - In [mm]				Total estimated weight lb [kg]
	SINGLE	TANDEM	Cg (x)*		Cg (y) **		
			SINGLE	TANDEM	SINGLE	TANDEM	
20 [6096]	144 [3658]	N.A.	14.75 [375]	N.A.	3.75 [92]	N.A.	7800 [3546]
20 ½ [6248]	150 [3810]	N.A.	16.50 [419]	N.A.	3.75 [92]	N.A.	7900 [3591]
21 [6401]	153 [3886]	N.A.	15.75 [400]	N.A.	4.00 [102]	N.A.	8000 [3636]
21 ½ [6553]	159 [4039]	N.A.	18.00 [457]	N.A.	4.00 [102]	N.A.	8100 [3682]
22 [6706]	162 [4115]	N.A.	17.00 [432]	N.A.	3.75 [92]	N.A.	8200 [3727]
22 ½ [6858]	168 [4267]	N.A.	19.50 [495]	N.A.	4.00 [102]	N.A.	8300 [3773]
23 [7010]	171 [4343]	N.A.	19.00 [483]	N.A.	4.00 [102]	N.A.	8400 [3818]
23 ½ [7163]	177 [4496]	N.A.	20.75 [527]	N.A.	4.00 [102]	N.A.	8500 [3864]
24 [7315]	184 [4674]	196 [4978]	25.25 [641]	37.25 [946]	4.75 [121]	4.75 [121]	8700 [3955]
24 ½ [7468]	190 [4826]	202 [5131]	27.00 [684]	39.00 [991]	4.75 [121]	4.75 [121]	8800 [4000]
25 [7620]	193 [4902]	208 [5283]	26.50 [673]	41.50 [1054]	4.75 [121]	4.75 [121]	8900 [4045]
25 ½ [7772]	199 [5055]	214 [5436]	28.75 [730]	43.75 [1111]	4.75 [121]	4.75 [121]	9000 [4091]
26 [7925]	202 [5131]	220 [5588]	27.75 [705]	45.75 [1162]	5.00 [127]	5.00 [127]	9100 [4136]
26 ½ [8077]	208 [5283]	226 [5740]	30.50 [775]	48.50 [1232]	5.00 [127]	5.00 [127]	9200 [4182]
27 [8230]	211 [5359]	232 [5893]	30.00 [762]	51.00 [1295]	4.75 [121]	4.75 [121]	9300 [4227]
27 ½ [8382]	217 [5512]	238 [6045]	32.50 [826]	53.50 [1359]	5.00 [127]	5.00 [127]	9400 [4273]
28 [8534]	220 [5588]	244 [6198]	31.50 [800]	55.50 [1410]	5.00 [127]	5.00 [127]	9500 [4318]
28 ½ [8687]	226 [5740]	250 [6350]	34.00 [864]	58.00 [1473]	5.00 [127]	5.00 [127]	9600 [4364]
29 [8839]	229 [5817]	256 [6502]	33.00 [838]	60.00 [1524]	5.00 [127]	5.00 [127]	9700 [4409]
29 ½ [8992]	235 [5969]	262 [6655]	35.75 [908]	62.75 [1594]	5.00 [127]	5.00 [127]	9800 [4455]
30 [9144]	238 [6045]	268 [6807]	35.25 [895]	65.25 [1657]	5.00 [127]	5.00 [127]	9900 [4500]
30 ½ [9296]	244 [6198]	274 [6960]	37.25 [946]	67.25 [1708]	5.00 [127]	5.00 [127]	10000 [4545]

*The center of gravity (x) is calculated from the center of the rear last axle.

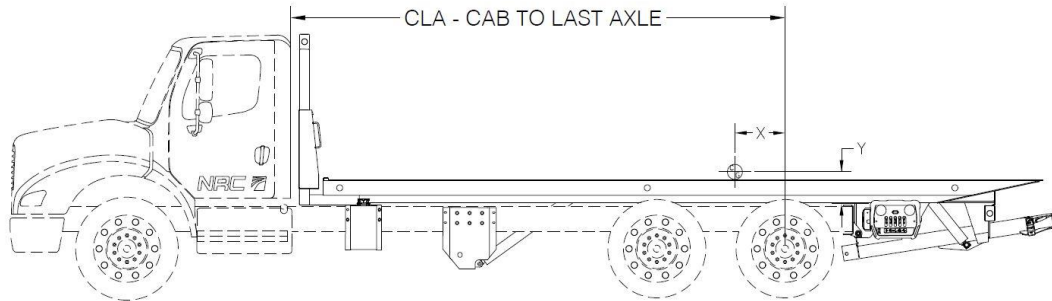
**The center of gravity (y) is calculated from the top of the chassis.

***The estimated weight and gravity center are only for carrier. (W/O truck)



Model: 20TB

The best features for the best performance. Haul all you can think of and then some...
All in a day's work with the 20TB series.



ESITMATED WEIGHT AND GRAVITY CENTER FOR 20TB STD***							
Deck length Ft [mm]	CLA In [mm]		Gravity center - In [mm]				Total estimated weight lb [kg]
	SINGLE	TANDEM	Cg (x)*		Cg (y) **		
			SINGLE	TANDEM	SINGLE	TANDEM	
20 [6096]	144 [3658]	N.A.	14,75 [375]	N.A.	4,00 [102]	N.A.	7650 [3477]
20 ½ [6248]	150 [3810]	N.A.	17,00 [432]	N.A.	4,00 [102]	N.A.	7750 [3523]
21 [6401]	153 [3886]	N.A.	16,00 [406]	N.A.	4,00 [102]	N.A.	7850 [3568]
21 ½ [6553]	159 [4039]	N.A.	18,25 [464]	N.A.	4,00 [102]	N.A.	7950 [3614]
22 [6706]	162 [4115]	N.A.	17,50 [445]	N.A.	4,25 [108]	N.A.	8050 [3659]
22 ½ [6858]	168 [4267]	N.A.	19,50 [495]	N.A.	4,25 [108]	N.A.	8150 [3705]
23 [7010]	171 [4343]	N.A.	18,75 [476]	N.A.	4,25 [108]	N.A.	8250 [3750]
23 ½ [7163]	177 [4496]	N.A.	21,25 [540]	N.A.	4,25 [108]	N.A.	8350 [3795]
24 [7315]	184 [4674]	196 [4978]	25,75 [654]	37,75 [959]	4,75 [121]	4,75 [121]	8550 [3886]
24 ½ [7468]	190 [4826]	202 [5131]	27,50 [699]	39,50 [1003]	4,75 [121]	4,75 [121]	8650 [3932]
25 [7620]	193 [4902]	208 [5283]	27,00 [686]	42,00 [1067]	4,75 [121]	4,75 [121]	8750 [3977]
25 ½ [7772]	199 [5055]	214 [5436]	28,75 [730]	43,75 [1111]	4,75 [121]	4,75 [121]	8850 [4023]
26 [7925]	202 [5131]	220 [5588]	28,25 [718]	46,25 [1175]	4,75 [121]	4,75 [121]	8950 [4068]
26 ½ [8077]	208 [5283]	226 [5740]	30,75 [781]	48,75 [1238]	5,00 [127]	5,00 [127]	9050 [4114]
27 [8230]	211 [5359]	232 [5893]	29,50 [749]	50,50 [1283]	5,00 [127]	5,00 [127]	9150 [4159]
27 ½ [8382]	217 [5512]	238 [6045]	32,00 [813]	53,00 [1346]	5,00 [127]	5,00 [127]	9250 [4205]
28 [8534]	220 [5588]	244 [6198]	31,50 [800]	55,50 [1410]	5,00 [127]	5,00 [127]	9350 [4250]
28 ½ [8687]	226 [5740]	250 [6350]	33,50 [851]	57,50 [1461]	5,00 [127]	5,00 [127]	9450 [4296]
29 [8839]	229 [5817]	256 [6502]	33,00 [838]	60,00 [1524]	5,00 [127]	5,00 [127]	9550 [4341]
29 ½ [8992]	235 [5969]	262 [6655]	35,50 [902]	62,50 [1588]	5,00 [127]	5,00 [127]	9650 [4386]
30 [9144]	238 [6045]	268 [6807]	34,50 [876]	64,50 [1638]	5,00 [127]	5,00 [127]	9750 [4432]
30 ½ [9296]	244 [6198]	274 [6960]	37,00 [940]	67,00 [1702]	5,25 [133]	5,25 [133]	9850 [4477]

*The center of gravity (x) is calculated from the center of the rear last axle.

**The center of gravity (y) is calculated from the top of the chassis.

***The estimated weight and gravity center are only for carrier. (W/O truck)



Model: 20TB

The best features for the best performance. Haul all you can think of and then some...
All in a day's work with the 20TB series.

Accessories	Estimated weight lb [kg]
Wheel Lift W/T-bar	195 [89]
Basket 44"	250 [114]
Basket 72"	340 [154]
Toolbox 44"	275 [125]
Toolbox 72"	360 [163]