

TECHNICAL DRAWING

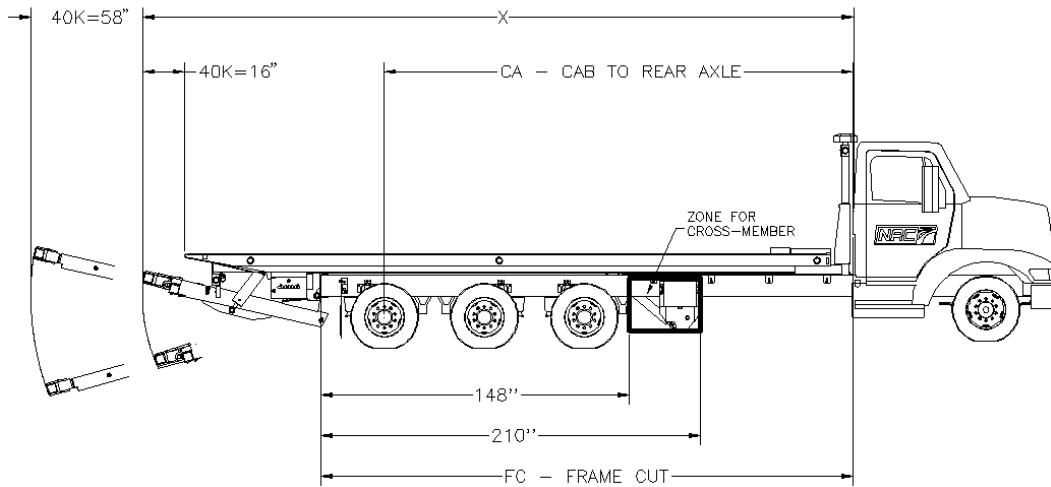


Title: 40TB CARRIER DIMENSIONS SPECIFICATION

Equipment: 40TB CARRIER MODEL "C", TRI-AXLE

Released: November 17, 2009

Revised: November 18, 2013



RECOMMENDED CA FOR CARRIER

Tri-axle chassis Deck length (feet)	Model "C"		Total length X
	CA	Frame cut	
26	220	253	340
26 1/2	226	259	346
27	232	265	352
27 1/2	238	271	358
28	244	277	364
28 1/2	250	283	370
29	256	289	376
29 1/2	262	295	382
30	268	301	388
30 1/2	274	307	394

NRC Industries

2430 Principale Est, St-Paul d' Abbotsford, Québec, Canada, J0E 1A0

Phone : +1 450 379 5796

Fax : +1 450 379 5995

Technical Drawing

7990008_REV3

Copyright © 2013

Page 1 of 1